

SIRUBA®

銀箭牌工業用縫紉機
INDUSTRIAL SEWING MACHINE

L818F-RM1

WITH TRIMMER

零件圖 PARTS LIST



CE



高林股份有限公司
KAULIN MFG. CO., LTD.

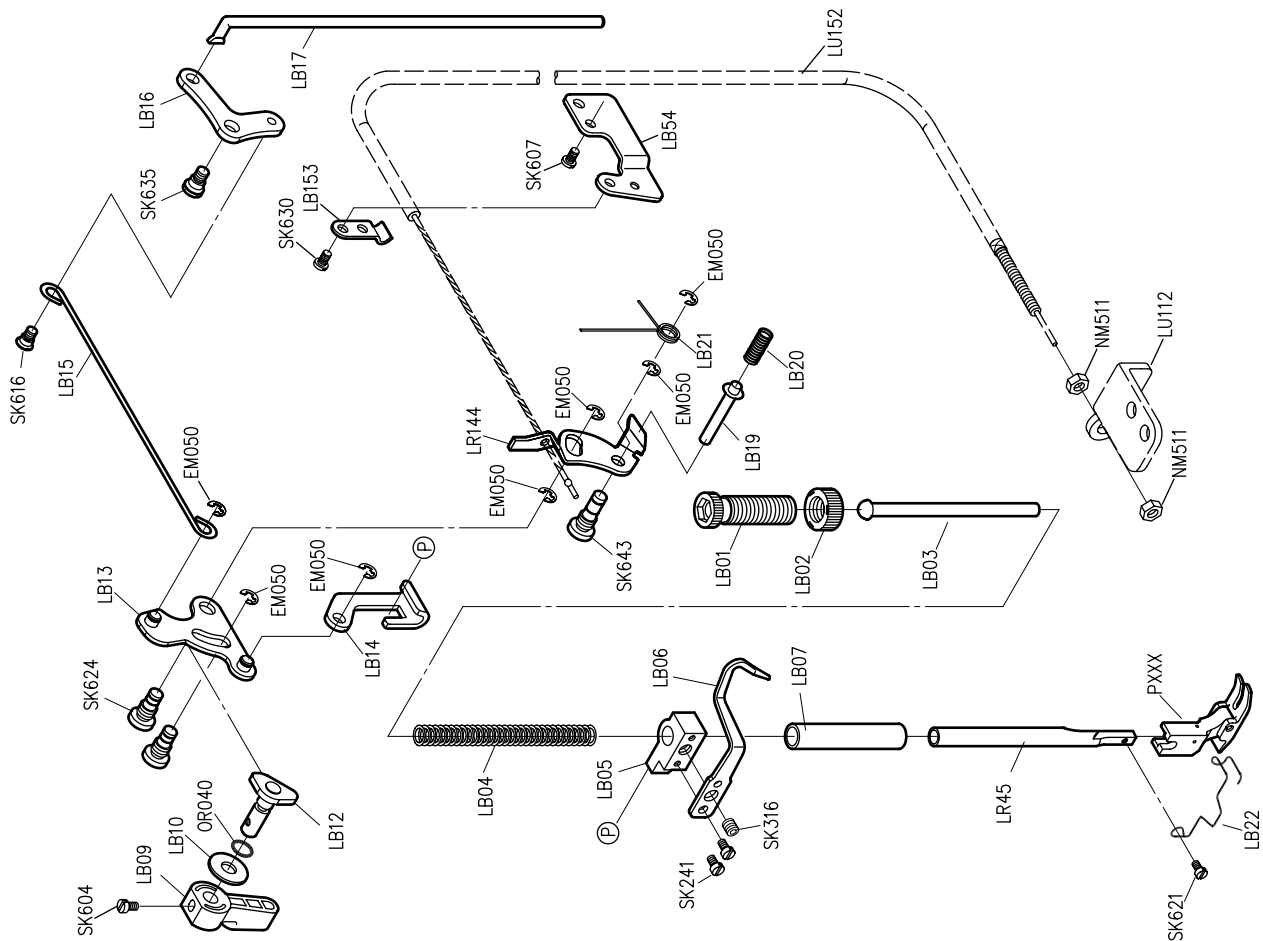
MODEL 機型	SUB-CLASS 規格	OPERATING PANEL 操作盒	GAUGE WIDTH 切邊距離	NEEDLE PLATE 針板	FEED DOG 送具	PRESSER FOOT 押具	HOOK ASM 梭頭	BOBBIN CASE ASM 梭殼	BOBBIN 梭子	THROAT PLATE CHIP GUARD 下導布架	NEEDLE 針號	THREAD GUIDE 導線片	THROAT PLATE COVER 布板蓋	HAND WHEEL 皮帶輪
L818F-RM1-32-00 L818F-RM1-32-03	32	L A55F-A	1/8" (3.2mm)	E705S E705Q	D702 D705	P701 P705	G121	G202	G303	LR104D LR104DS	DB*1#14	LR141 LR141S	LR106S LR106	LH101-A
L818F-RM1-32-10 L818F-RM1-32-13		L A53G-A												
L818F-RM1-32-K10 L818F-RM1-32-K13		L600A												
L818F-RM1-40-00 L818F-RM1-40-03	40	L A55F-A	5/32" (4.0mm)	E705R E705Q	D705	P705	G121	G202	G303	LR104DS	DB*1#14	LR141S	LR106	LH101-A
L818F-RM1-40-10 L818F-RM1-40-13		L A53G-A												
L818F-RM1-40-K10 L818F-RM1-40-K13		L600A												

規格件表 CONVERSION CHART-2

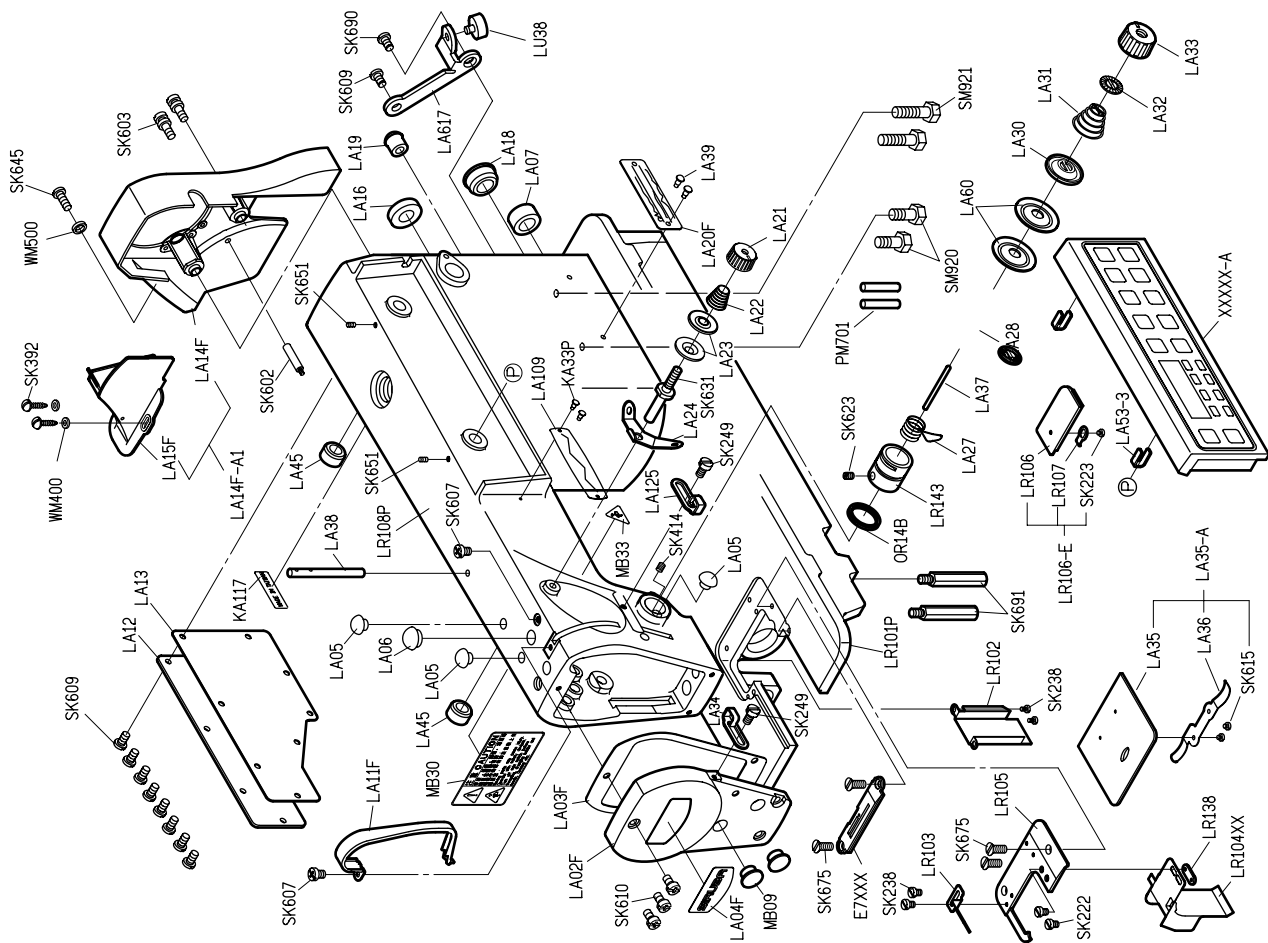
MODEL 機型	SUB-CLASS 規格	OPERATING PANEL 操作盒	GAUGE WIDTH 切邊距離	NEEDLE PLATE 針板	FEED DOG 送具	PRESSER FOOT 押具	HOOK ASM 梭頭	BOBBIN CASE ASM 梭殼	BOBBIN 梭子	THROAT PLATE CHIP GUARD 下導布架	NEEDLE 針號	THREAD GUIDE 導線片	THROAT PLATE COVER 布板蓋	HAND WHEEL 皮帶輪
L818F-RM1-48-00 L818F-RM1-48-03	48	LA55F-A LA53G-A L600A	3/16" (4.8mm)	E705 E705Q	D705	P705	G121	G202	G303	LR104DS	DB*1#14	LR141S	LR106	LH101-A
L818F-RM1-48-10 L818F-RM1-48-13														
L818F-RM1-48-K10 L818F-RM1-48-K13														
L818F-RM1-64-00 L818F-RM1-64-03	64	LA55F-A LA53G-A L600A	1/4" (6.4mm)	E705S E705Q	D702 D705	P701 P705	G121	G202	G303	LR104D LR104DS	DB*1#14	LR141 LR141S	LR106 LR106S	LH101-A
L818F-RM1-64-10 L818F-RM1-64-13														
L818F-RM1-64-K10 L818F-RM1-64-K13														

MODEL 機 型	SUB-CLASS 規 格	OPERATING PANEL 操作盒	GAUGE WIDTH 切邊距離	NEEDLE PLATE 針 板	FEED DOG 送 具	PRESSER FOOT 押 具	HOOK ASM 梭 頭	BOBBIN CASE ASM 梭 殼	BOBBIN 梭 子	THROAT PLATE CHIP GUARD 下導布架	NEEDLE 針 號	THREAD GUIDE 導線片	THROAT PLATE COVER 布板蓋	HAND WHEEL 皮帶輪
L818F-RM1-95-00 L818F-RM1-95-03		LA55F-A												LH101-A
L818F-RM1-95-10 L818F-RM1-95-13	95	LA53G-A	3/8" (9.5mm)	E705T E705Q	D702 D705	P701 P705	G121	G202	G303	LR104D LR104DS	DB*1#14	LR141 LR141S	LR106 LR106T	LH101-A
L818F-RM1-95-K10 L818F-RM1-95-K13		L600A												LH101P-A

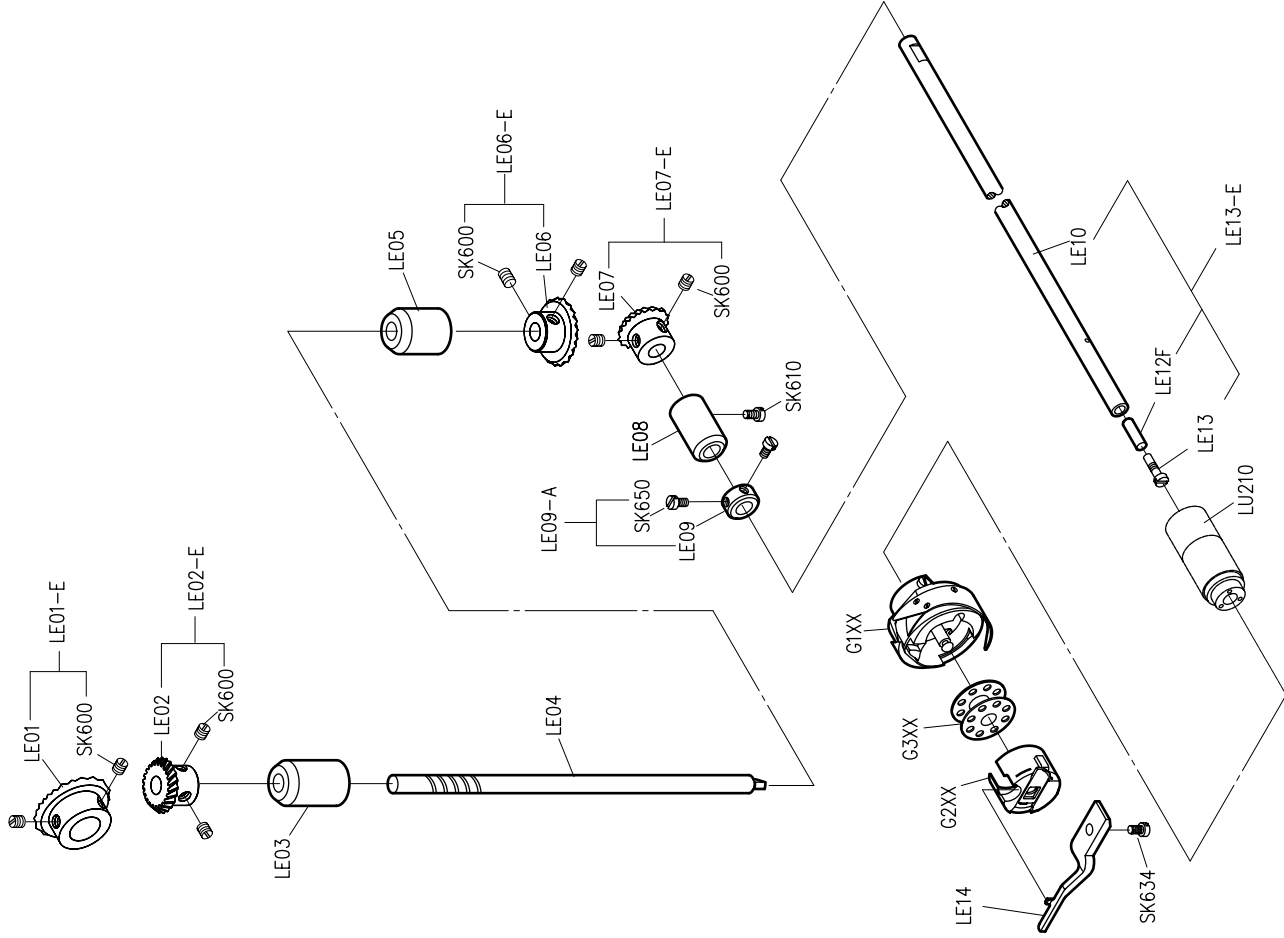
PARTS LIST FOR LB GROUP



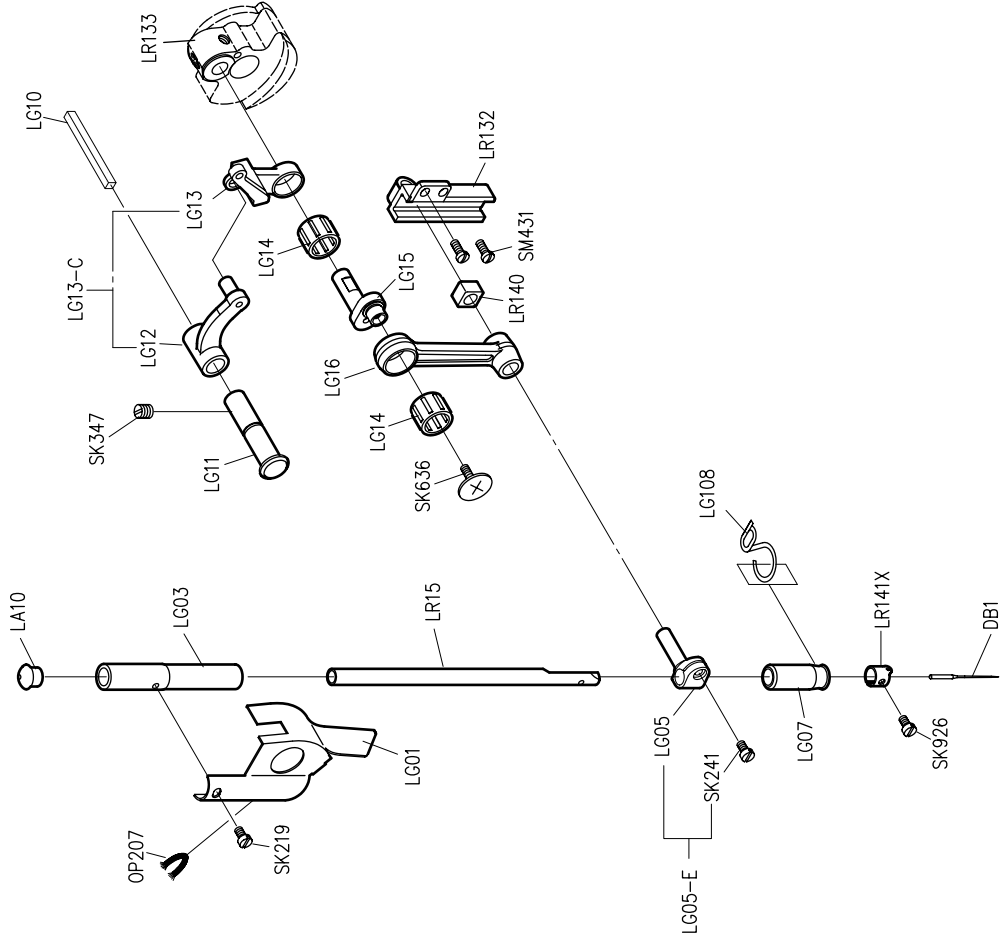
PARTS LIST FOR LA GROUP

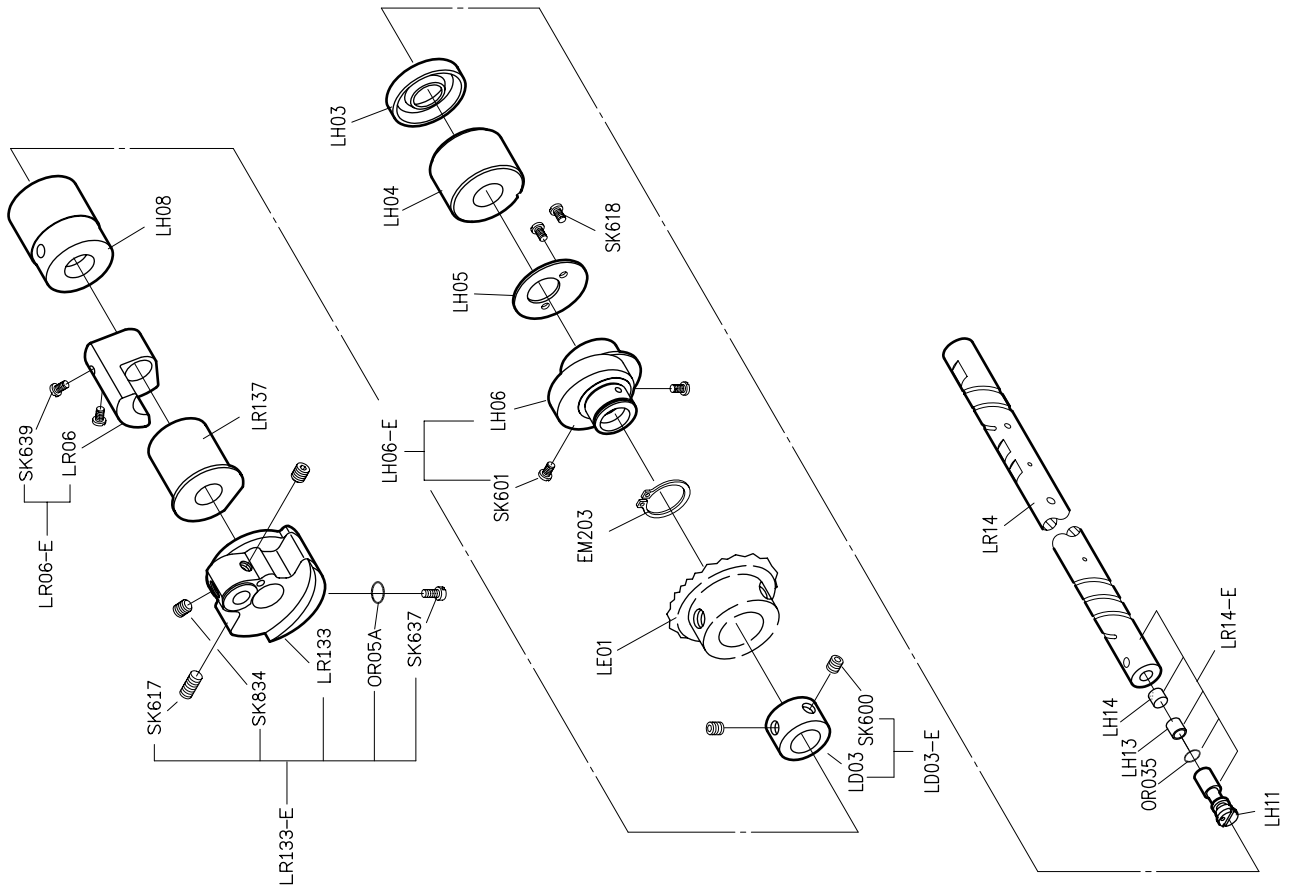


PARTS LIST FOR LE GROUP

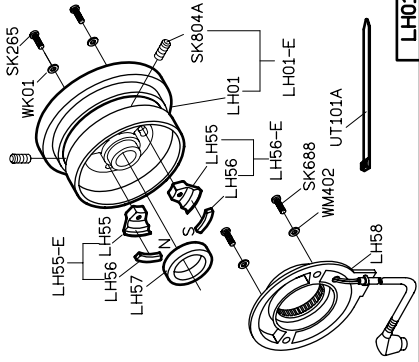


PARTS LIST FOR LG GROUP



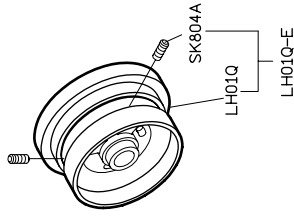


H 廠牌馬達



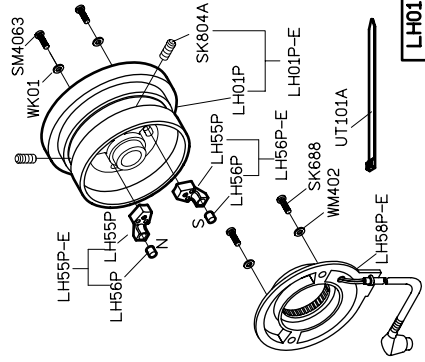
LH01-A

其他廠牌馬達

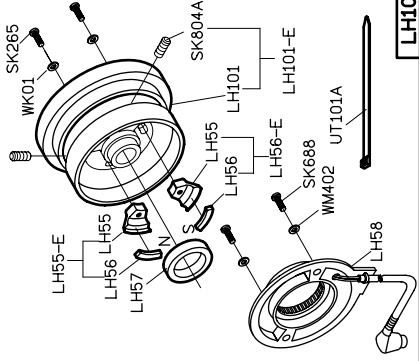


LH01Q-E

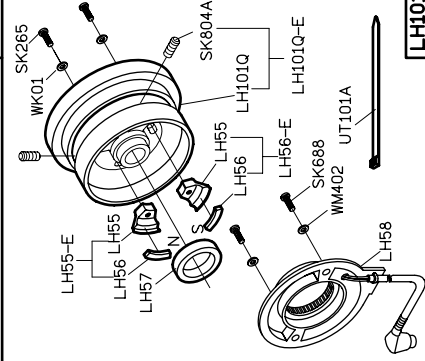
P 廠牌馬達



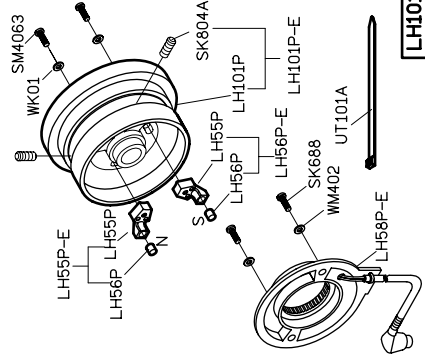
LH01P-A



LH101-A



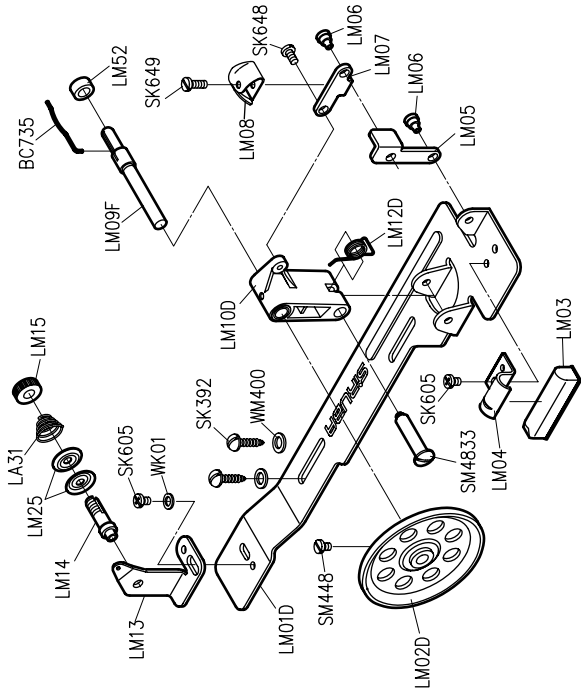
LH101Q-A



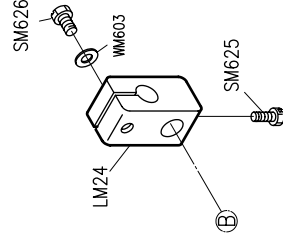
LH101P-A

PARTS LIST FOR LM GROUP

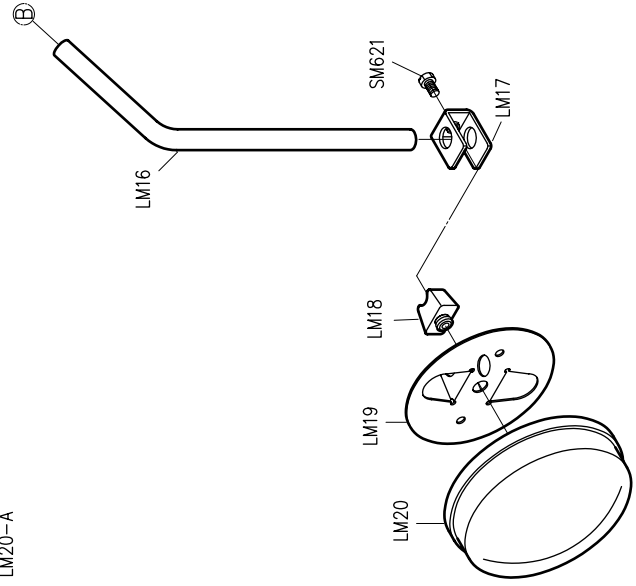
LM01D-A



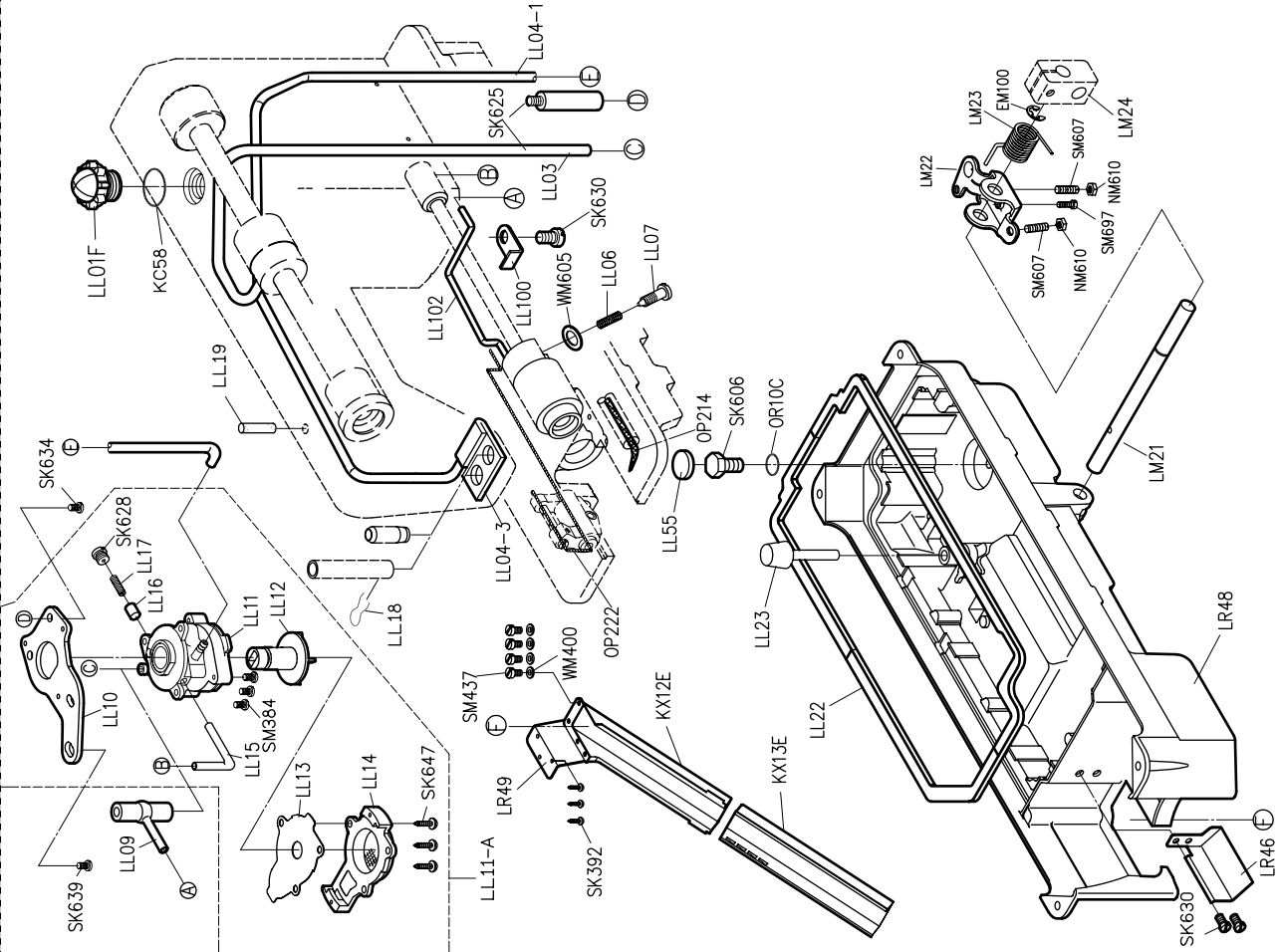
LM24-E

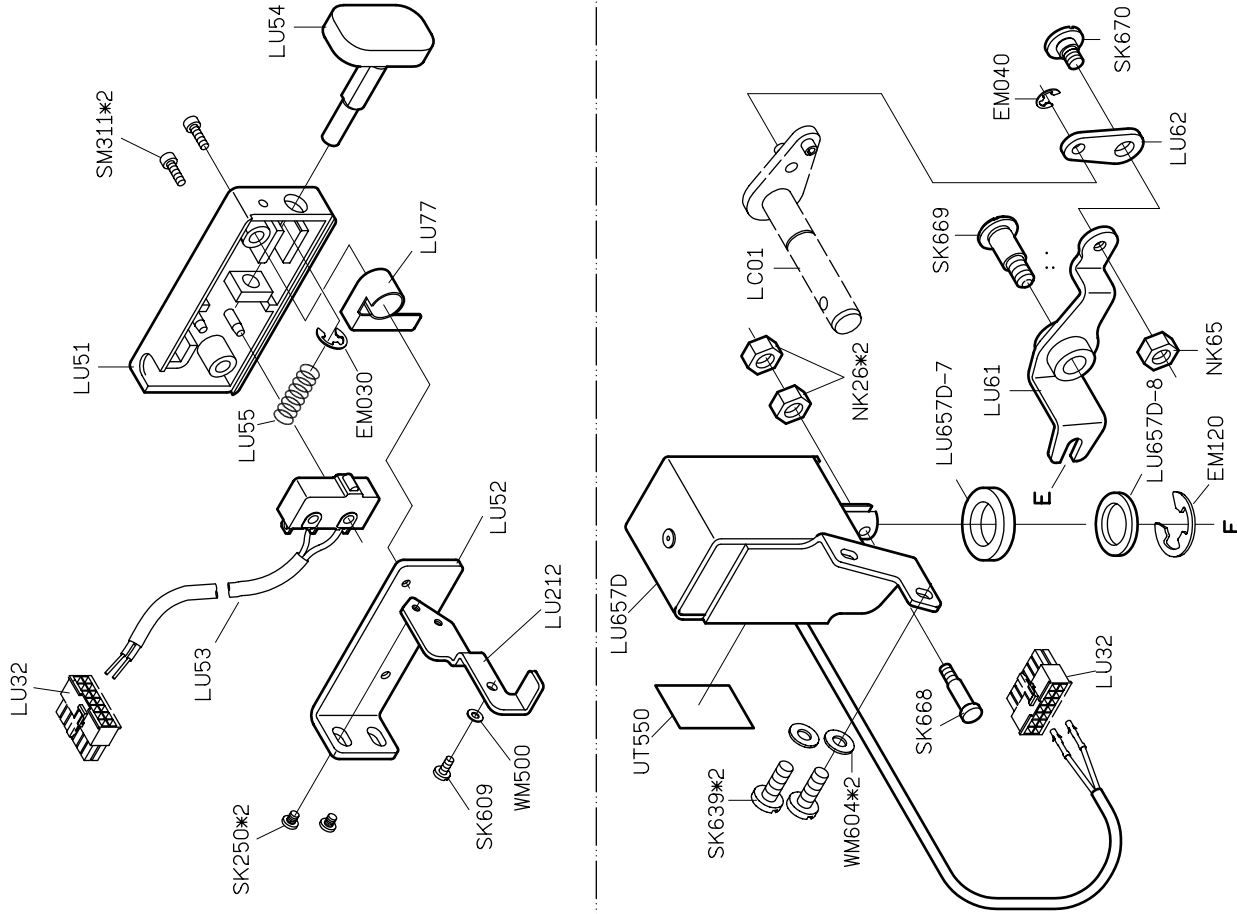
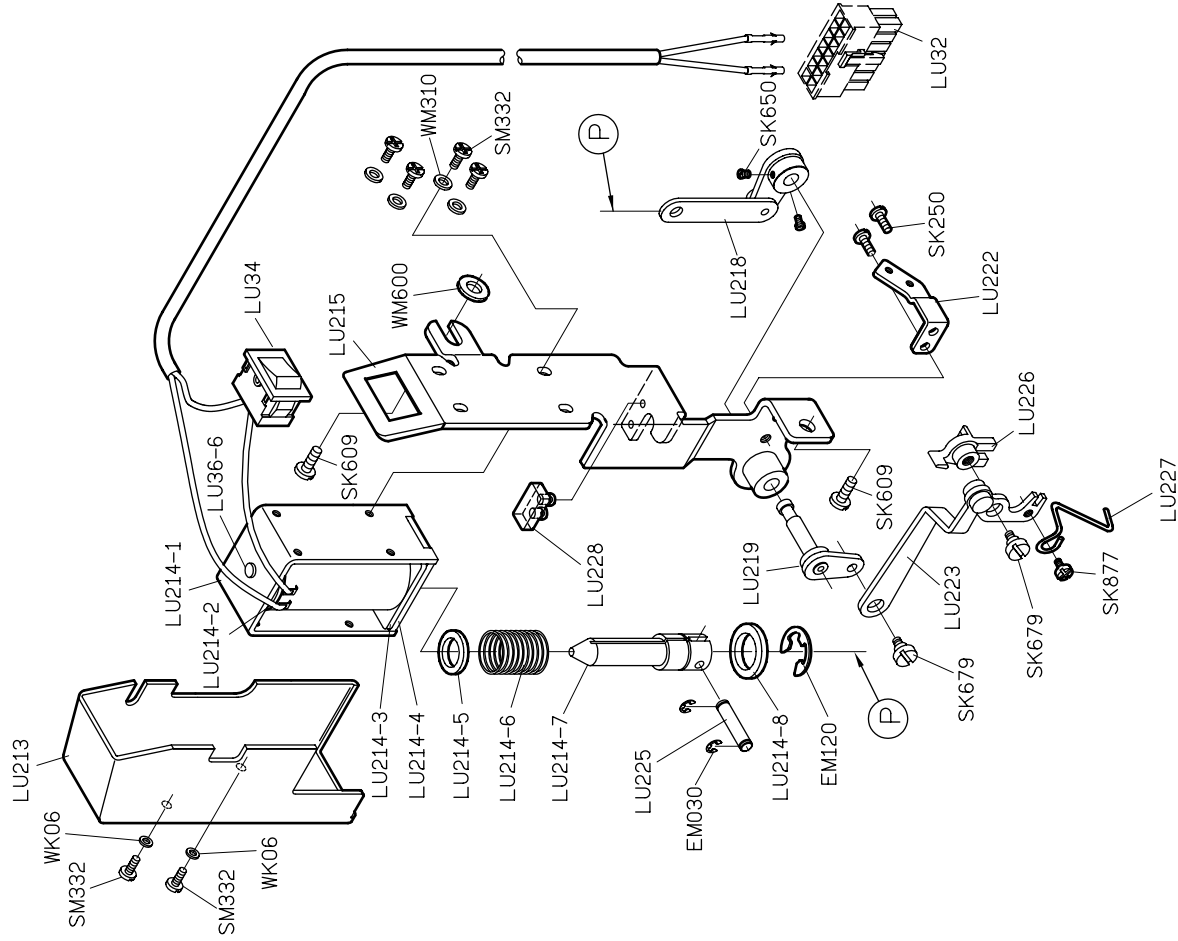


LM20-A

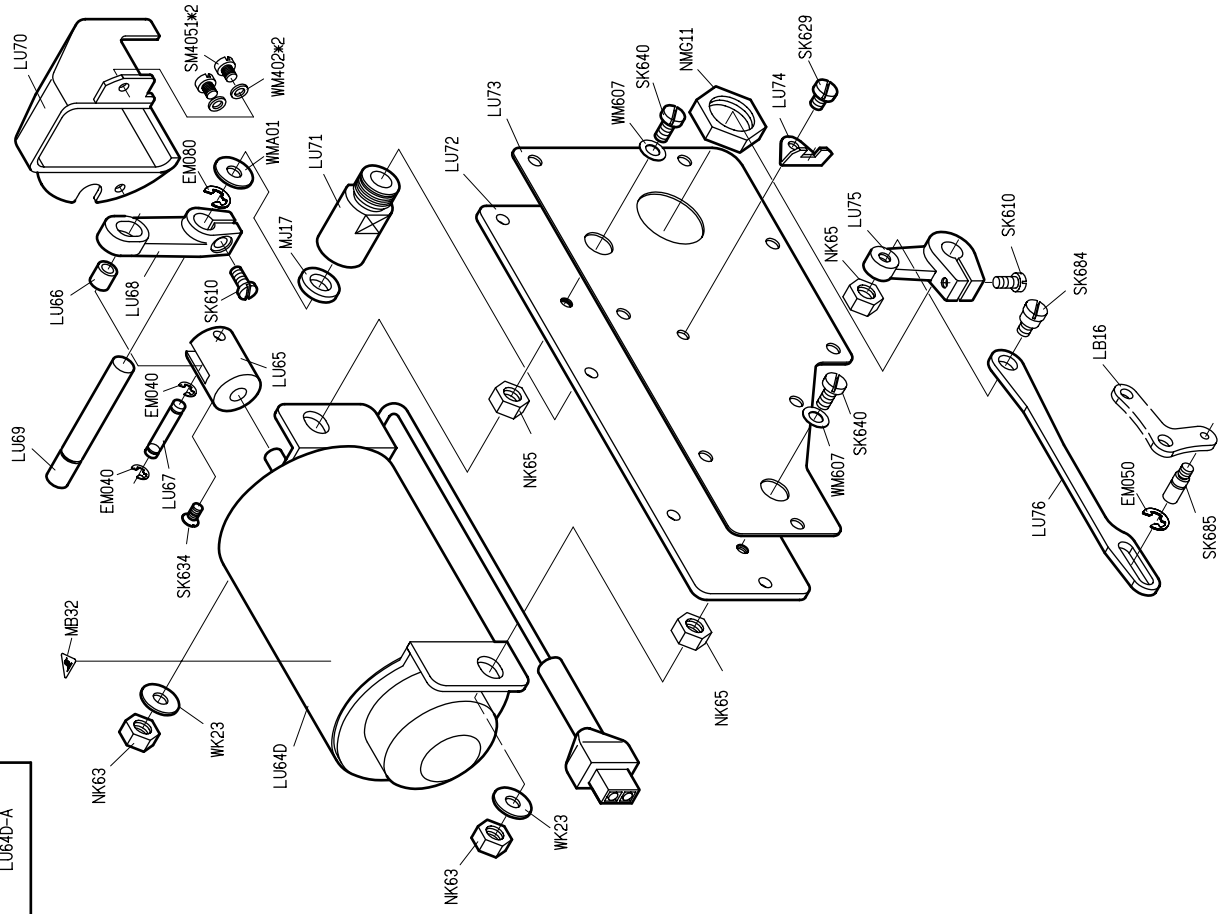


PARTS LIST FOR LL GROUP



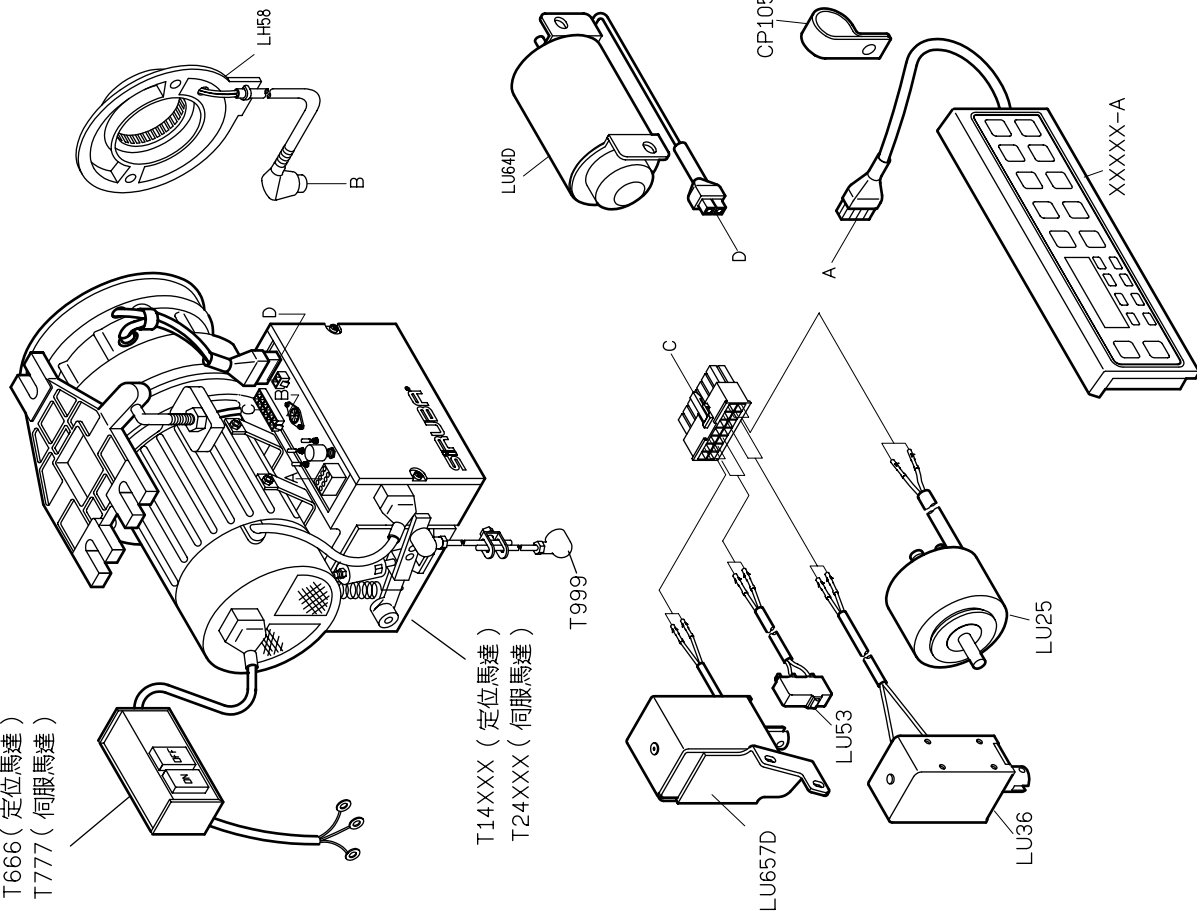


LU64D-A



PARTS LIST FOR LU GROUP

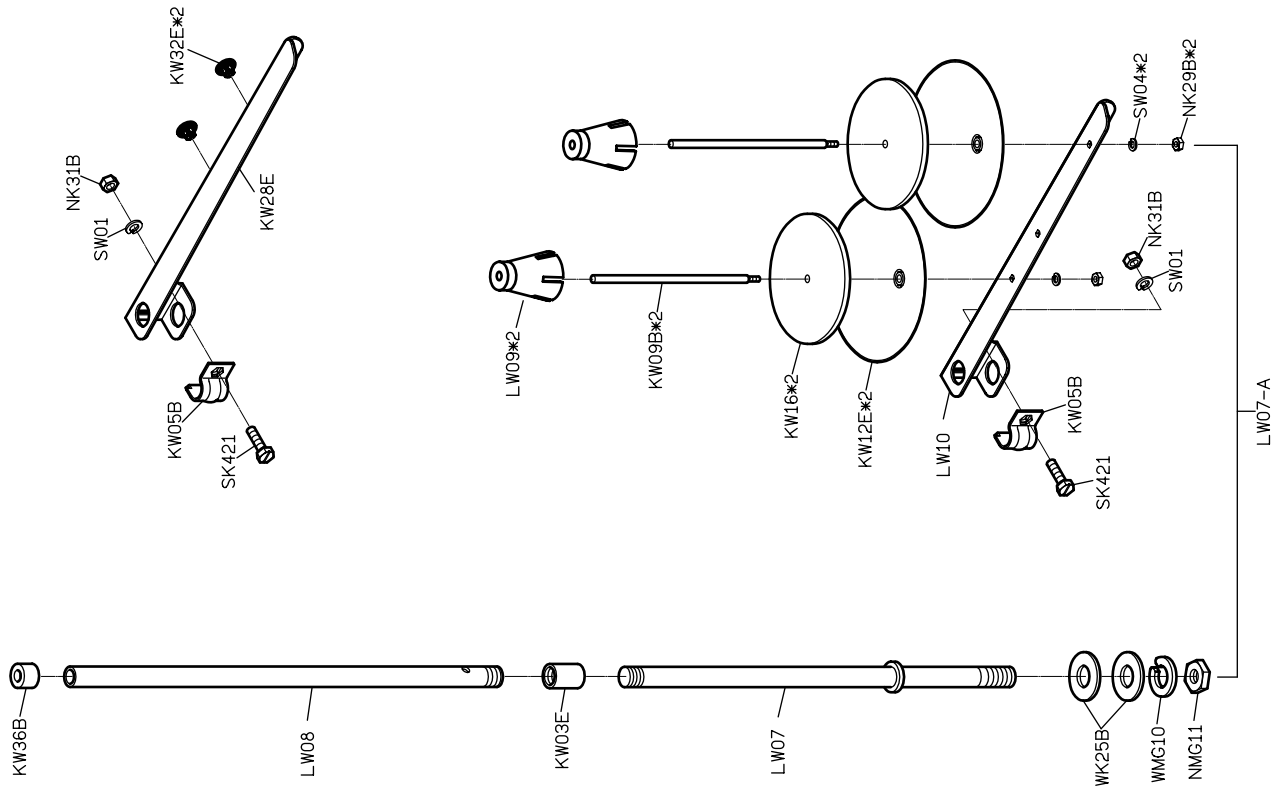
T666 (定位馬達)
T777 (伺服馬達)



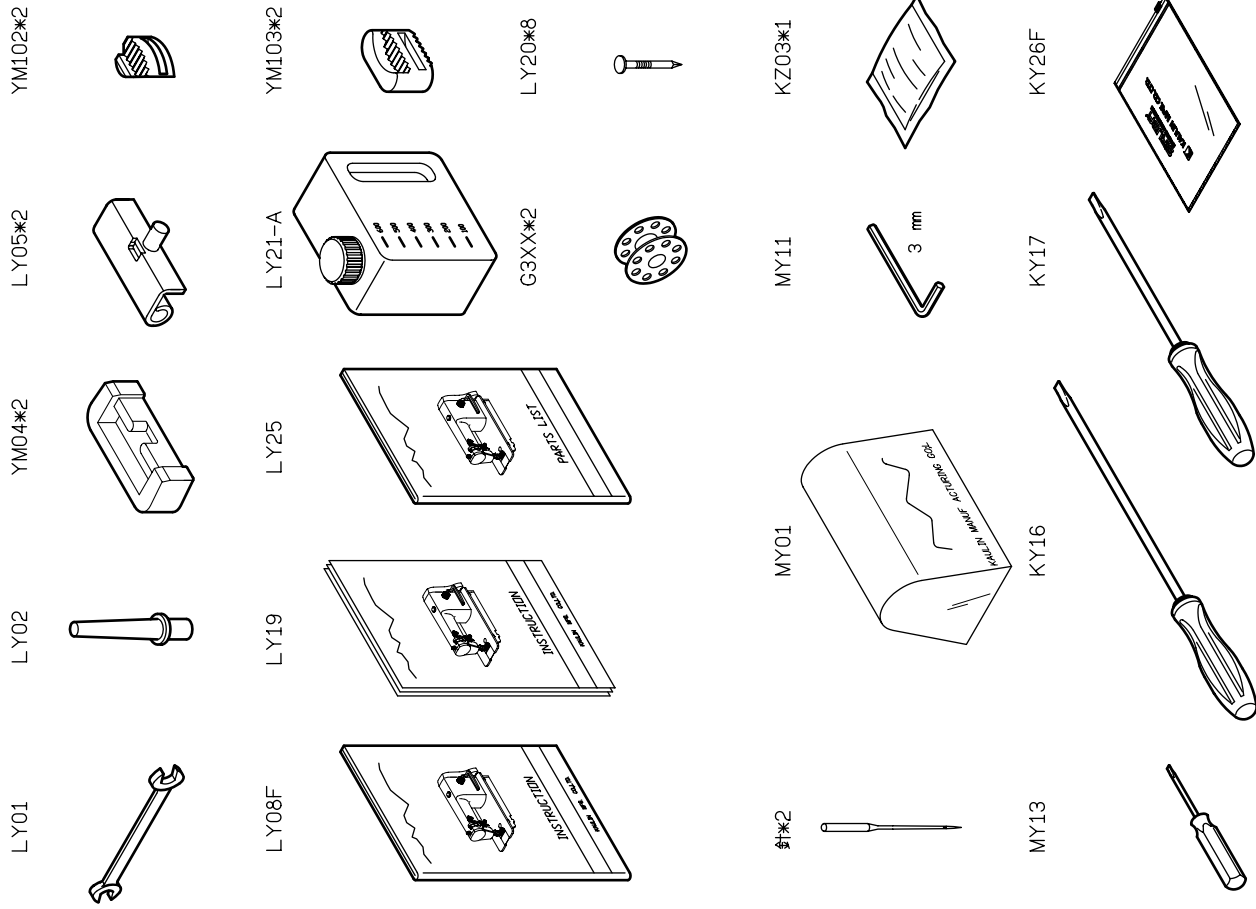
T14XXX (定位馬達)
T24XXX (伺服馬達)

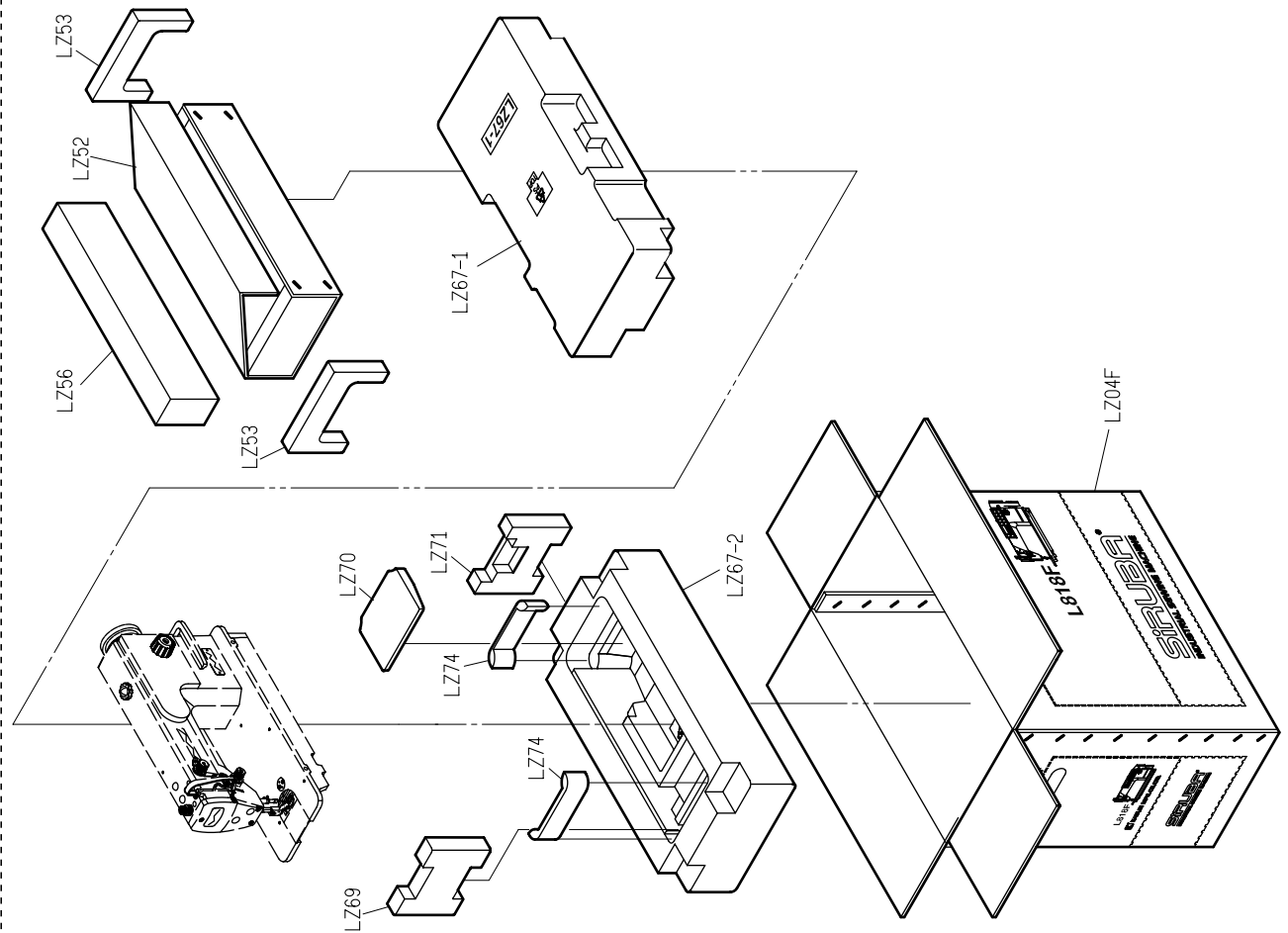
PARTS LIST FOR CONNECTING THE MOTOR CORDS GROUP

PARTS LIST FOR THREAD STAND GROUP



PARTS LIST FOR LY GROUP







L818F-RM1

WITH TRIMMER

高林股份有限公司 KAULIN MFG. CO., LTD.